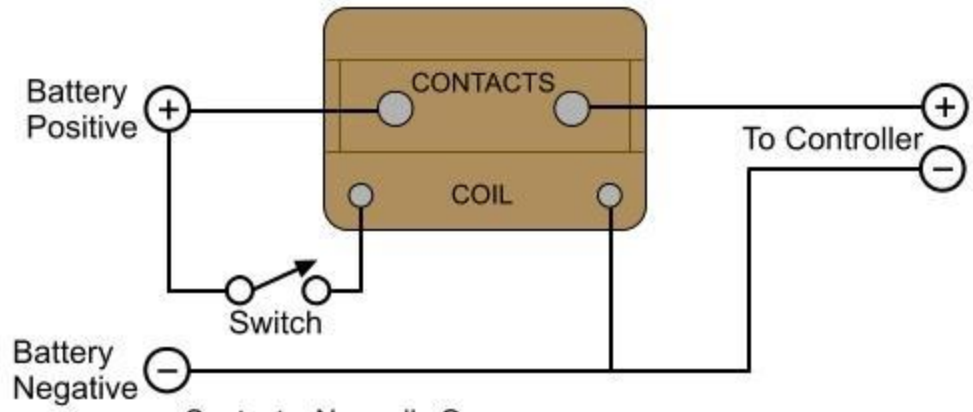


Power Contactor
RLY-24150



Contacts: Normally Open
Maximum Continuous Contacts Load: 150 Amps
Rated Coil Voltage: 24 Volts DC
Maximum Coil Voltage: 36 Volts DC
Coil Pull-In Voltage: 18 Volts DC
Coil Pull-Out Voltage 10 Volts DC