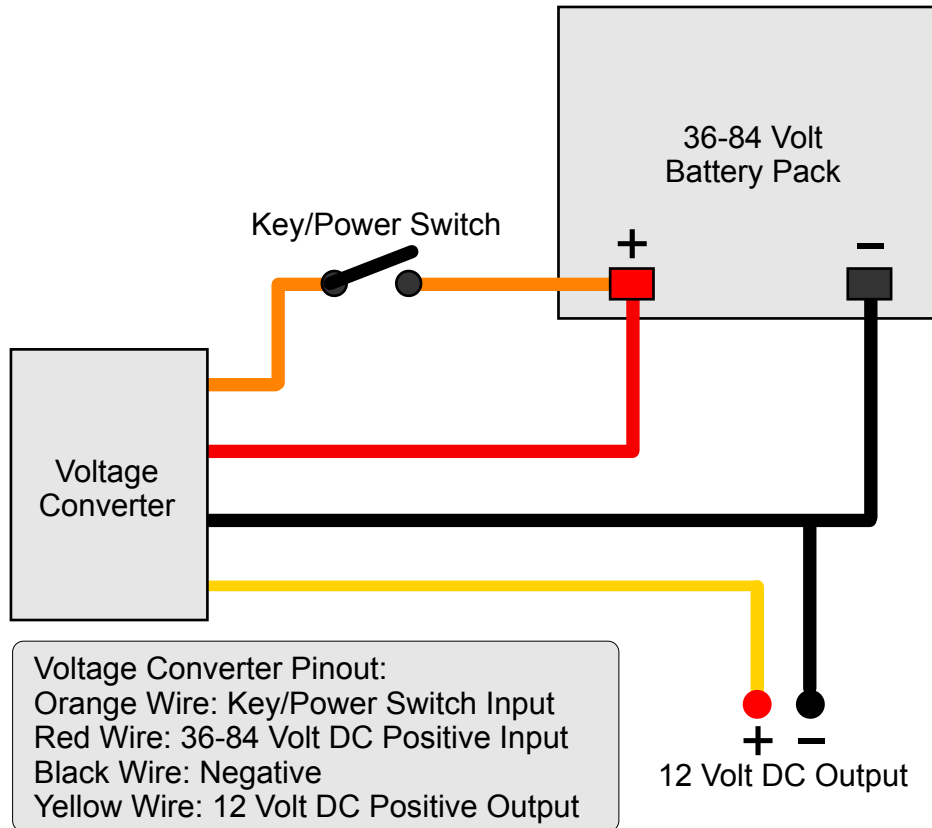
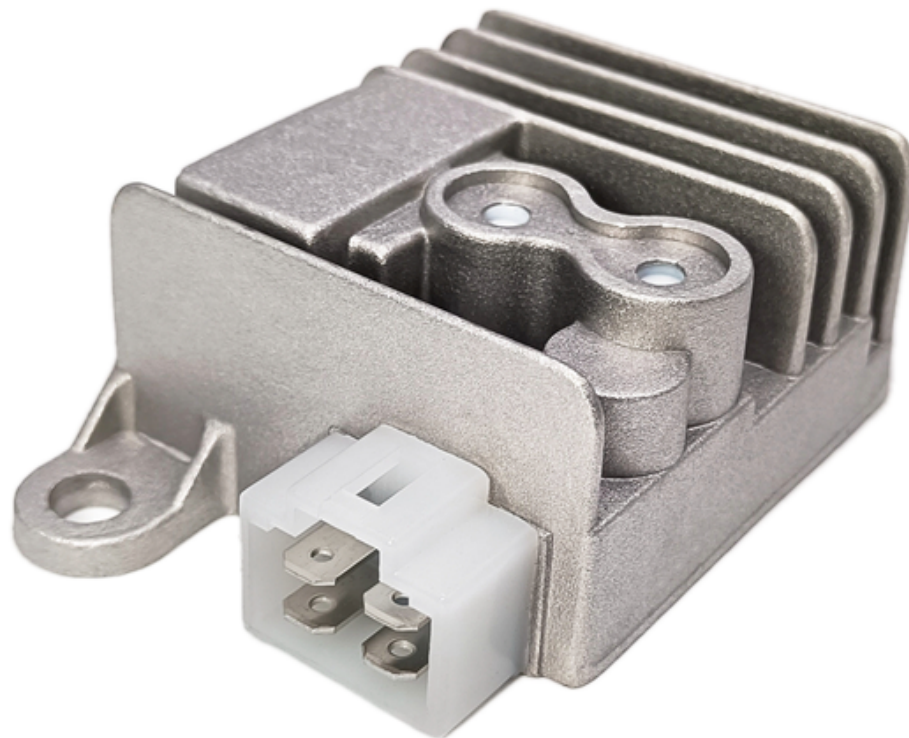


CVT-12151 DC-DC Voltage Converter

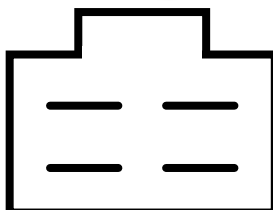
Wiring Diagram



Wiring Pinout



12V 15A Output
Negative/Ground



Key/Power Switch Input
Battery Positive Input