

MOT-MX650 36 Volt 650 Watt Brush DC Motor

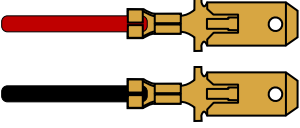
Operating Voltage: 36 Volts DC

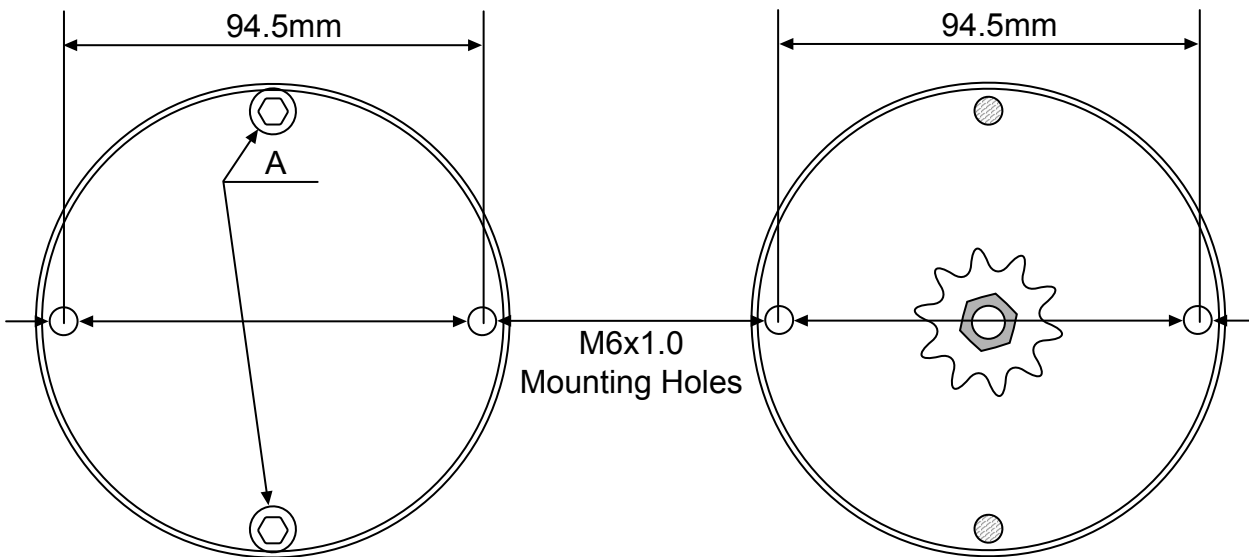
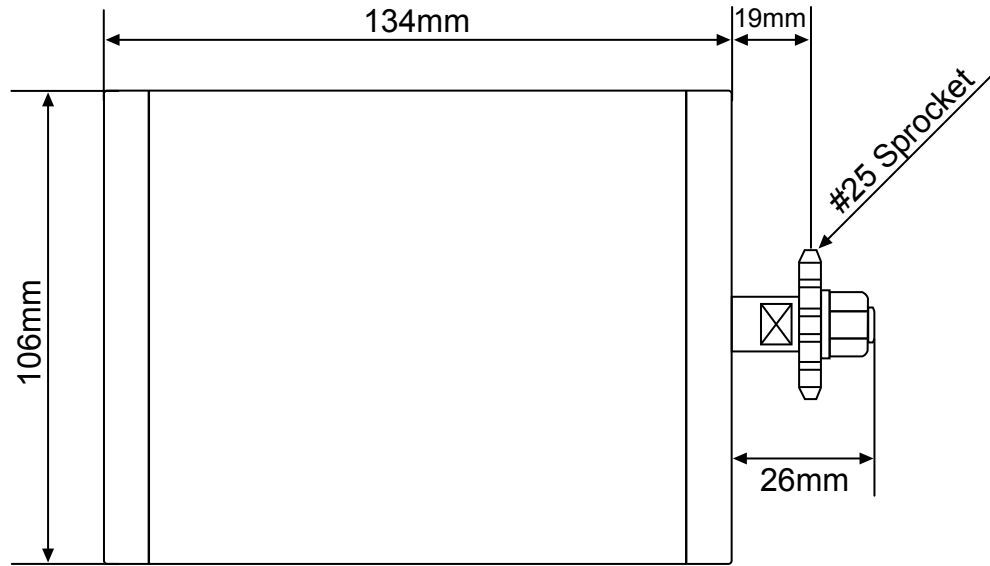
Rated Power: 650 Watts Continuous Duty

RPM: 2750

Power Wires: 2 (Red, Black)

Power Wire Terminals: 6.3mm White Connector Terminals

| | | |
|-------------------|---|--|
| Motor Power Wires |  | Red to Controller Positive Black to Controller Negative |
|-------------------|---|--|



A = Recessed motor assembly bolts provide a flat backplate with no bolt heads protruding out of it.