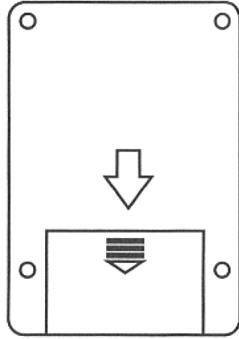


BTS-125 Testing Device User's Manual

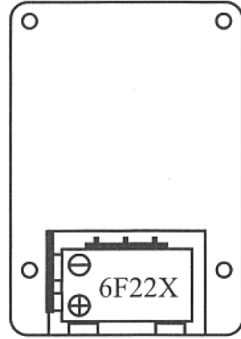
Brief Introduction:

Ebike testing device is used to test ebike's brushless motor, brushless controller, throttle and brake lever quickly.

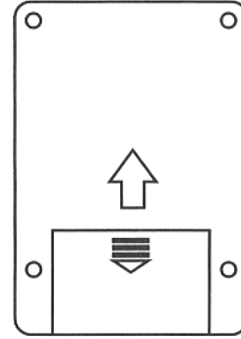
Please install 9V battery according to the pictures below before using it:



1、 Holding down the arrow to push the cover.



2、 Put 9V battery to connect it.

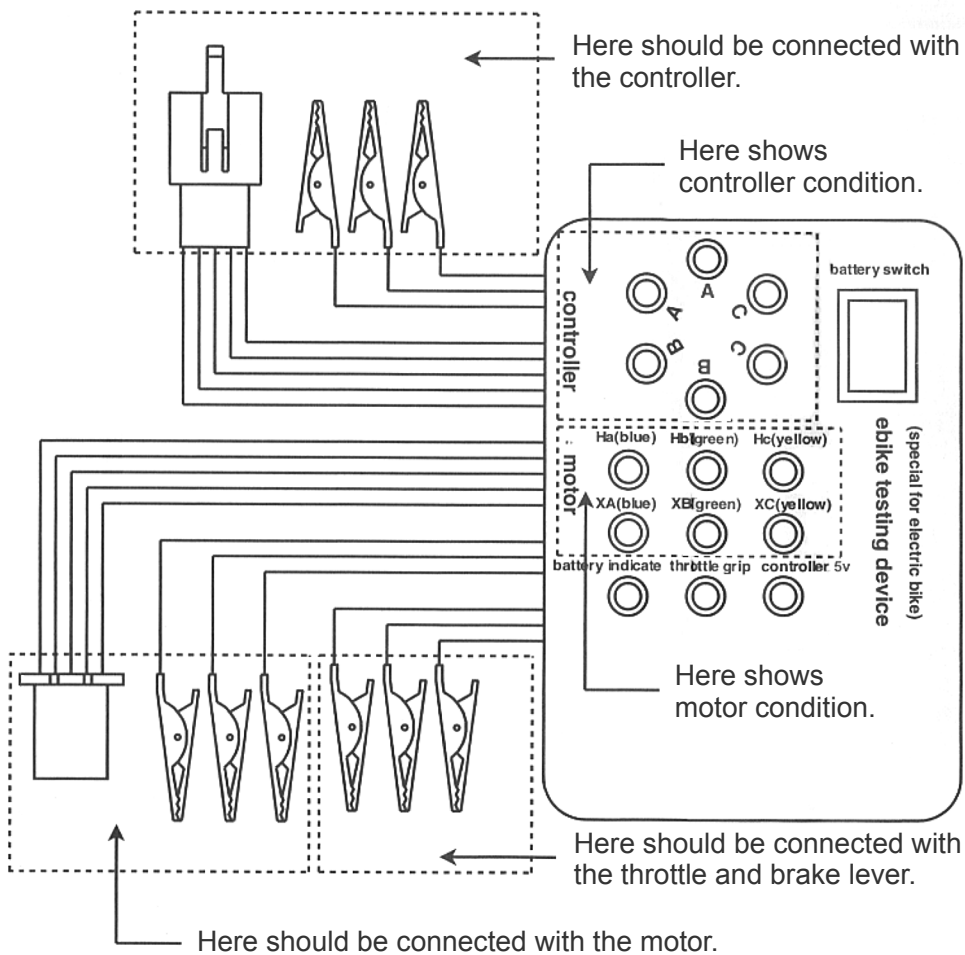


3、 Close the cover.



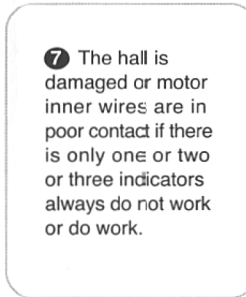
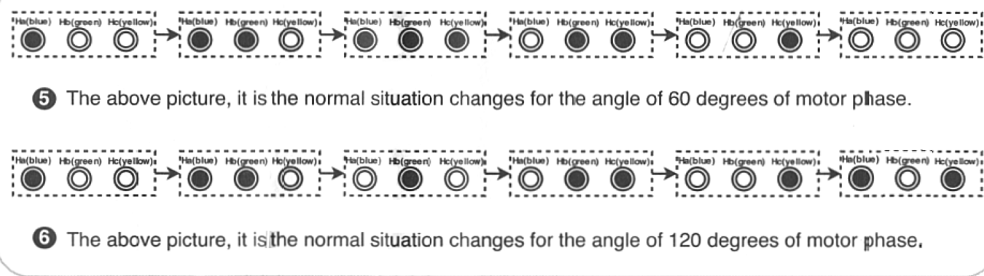
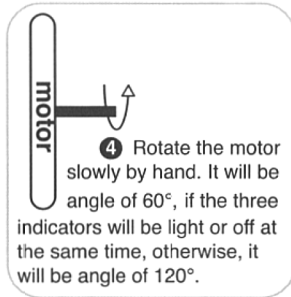
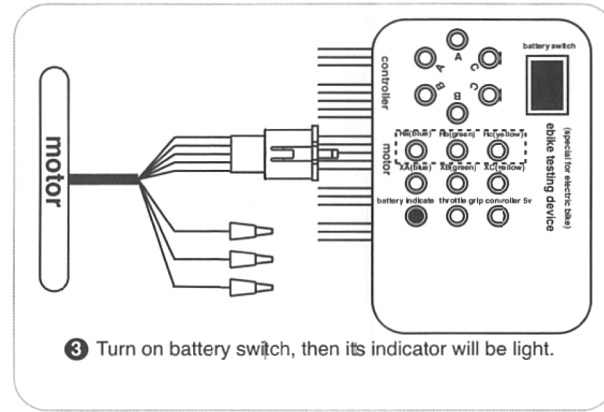
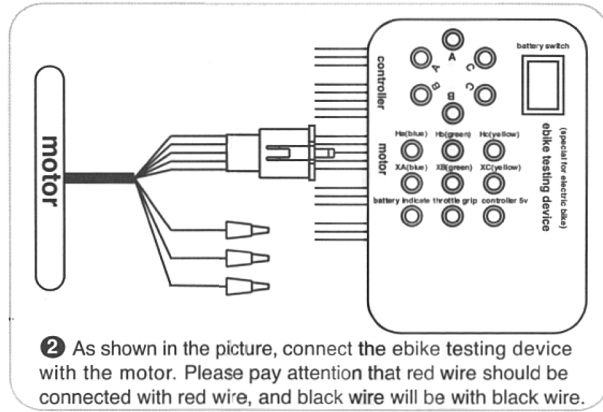
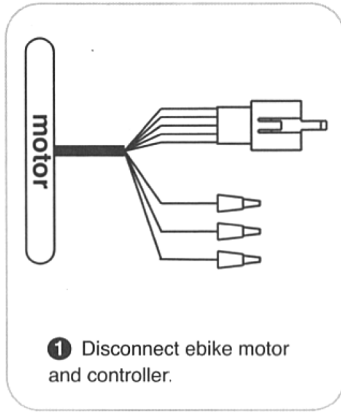
Caution

1. Turn testing device off when not in use.
2. Keep testing device in a dry place.
3. Replace the testing device battery when the battery indicate light becomes dim or does not light.



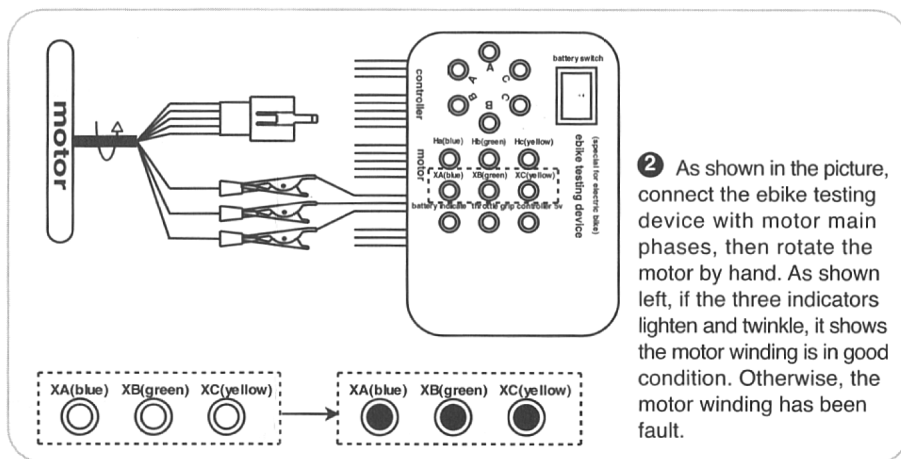
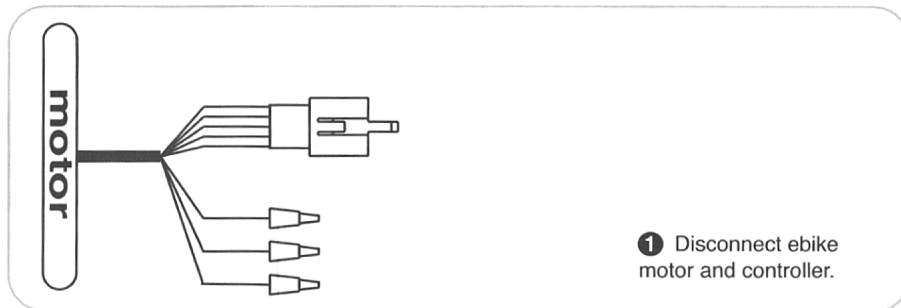
Brushless motor hall and Brushless motor phase angle testing

Note: As shown in the picture ●: bright, ○: dark.



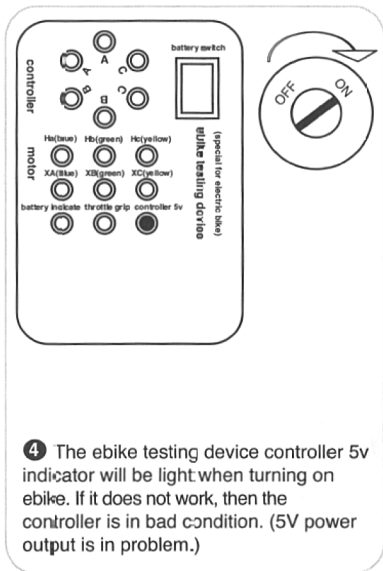
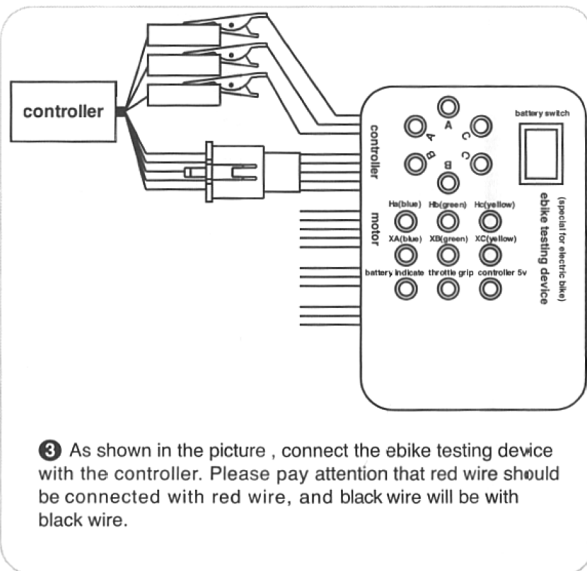
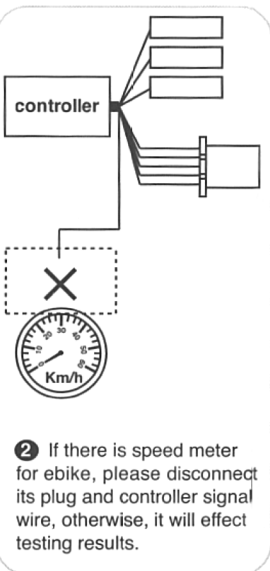
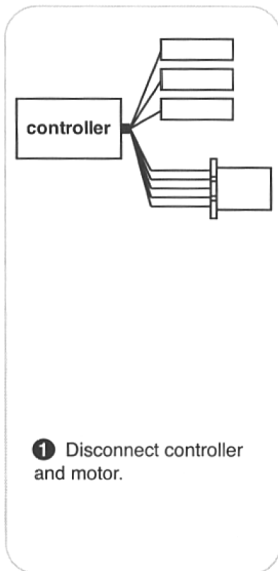
Brushless motor winding testing

Note: As shown in the picture ●: twinkle, ○: dark.



Brushless controller and phase angle testing

Note: As shown in the picture ●: bright, ○: dark.

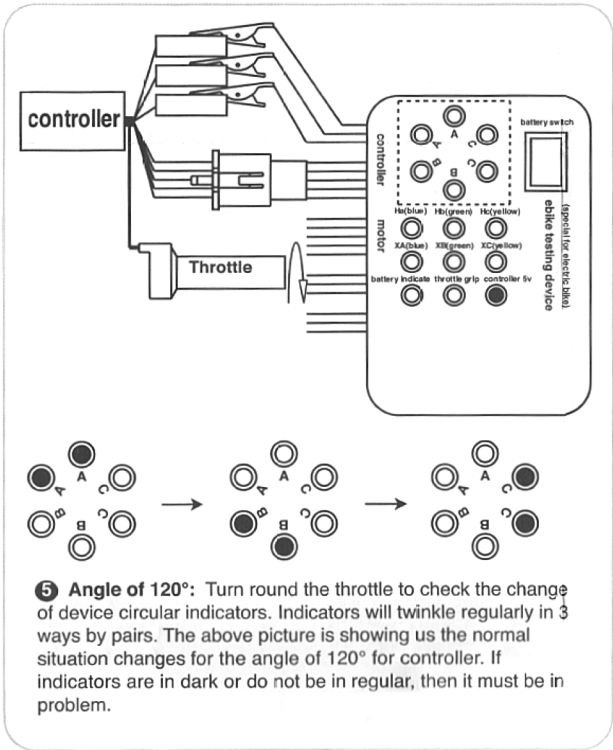


1 Disconnect controller and motor.

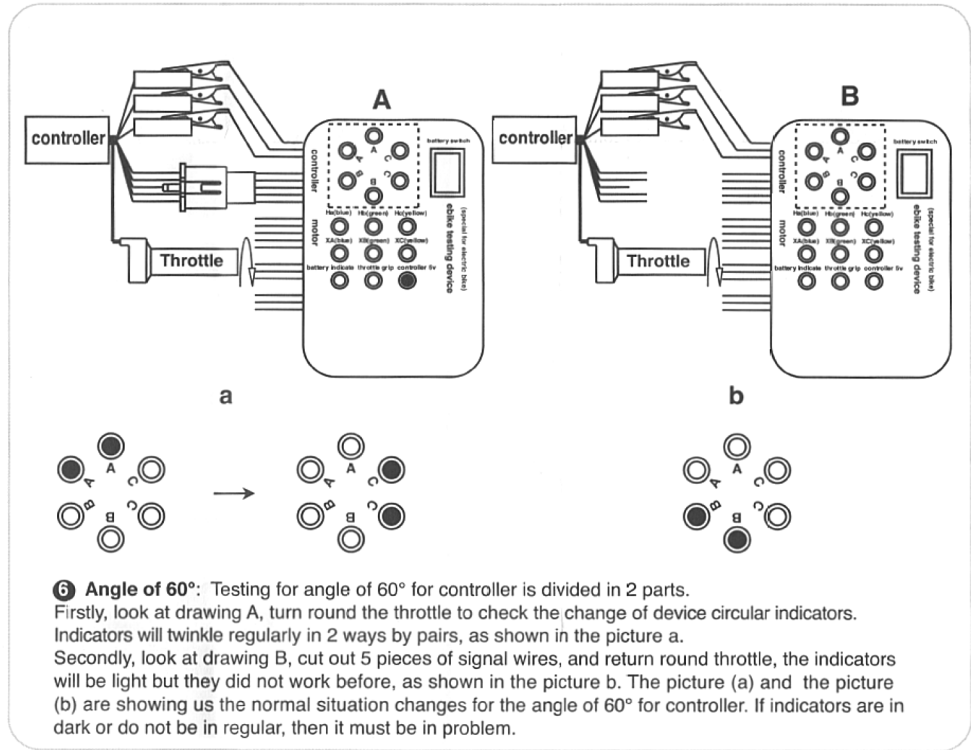
2 If there is speed meter for ebike, please disconnect its plug and controller signal wire, otherwise, it will effect testing results.

3 As shown in the picture , connect the ebike testing device with the controller. Please pay attention that red wire should be connected with red wire, and black wire will be with black wire.

4 The ebike testing device controller 5v indicator will be light when turning on ebike. If it does not work, then the controller is in bad condition. (5V power output is in problem.)



5 Angle of 120°: Turn round the throttle to check the change of device circular indicators. Indicators will twinkle regularly in 3 ways by pairs. The above picture is showing us the normal situation changes for the angle of 120° for controller. If indicators are in dark or do not be in regular, then it must be in problem.



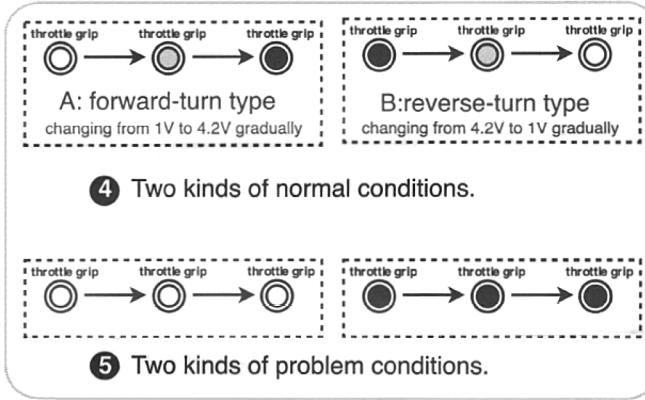
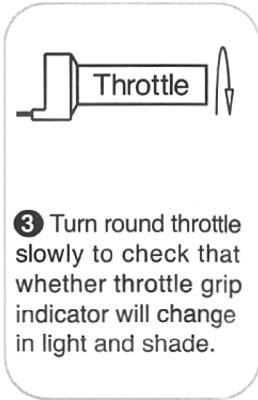
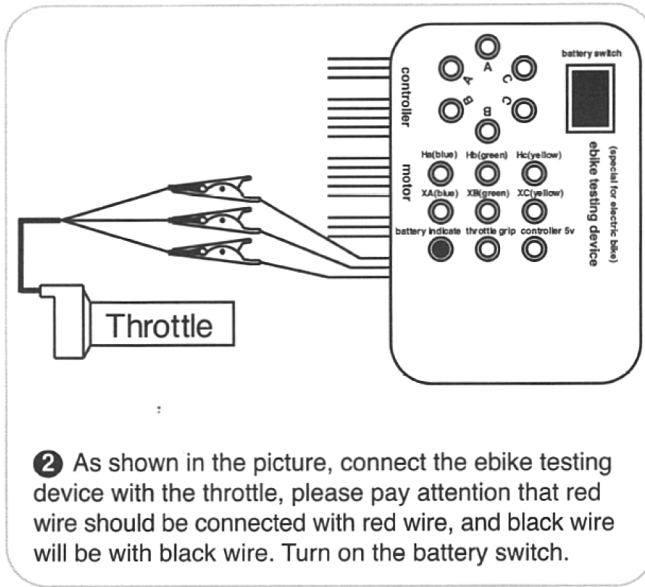
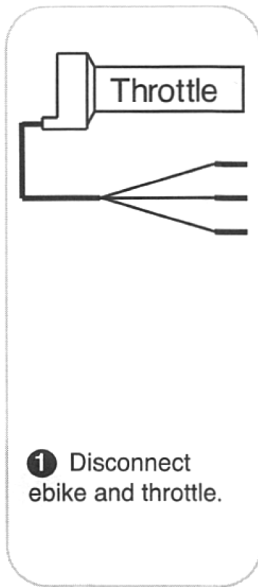
6 Angle of 60°: Testing for angle of 60° for controller is divided in 2 parts. Firstly, look at drawing A, turn round the throttle to check the change of device circular indicators. Indicators will twinkle regularly in 2 ways by pairs, as shown in the picture a. Secondly, look at drawing B, cut out 5 pieces of signal wires, and return round throttle, the indicators will be light but they did not work before, as shown in the picture b. The picture (a) and the picture (b) are showing us the normal situation changes for the angle of 60° for controller. If indicators are in dark or do not be in regular, then it must be in problem.

NOTE:

- 1 Before testing the controller, it is best to test the throttle and brake lever first, otherwise the controller test results may be inaccurate. This testing device can not be used for testing a controller which is dual-mode or sensorless.
- 2 When testing the controller, first turn on the key or power switch, then connect the six-wire connector of the testing device with the six-wire connector of the controller. Otherwise the test results may be inaccurate.

Throttle testing

Note: As shown in the picture ● : bright ○ : dim ○ : dark.



Brake lever testing

Note: As shown in the picture ● : bright, ○ : dark.

