

Eco-Ride Bike Exploded Parts View
EZ-ECO-AN

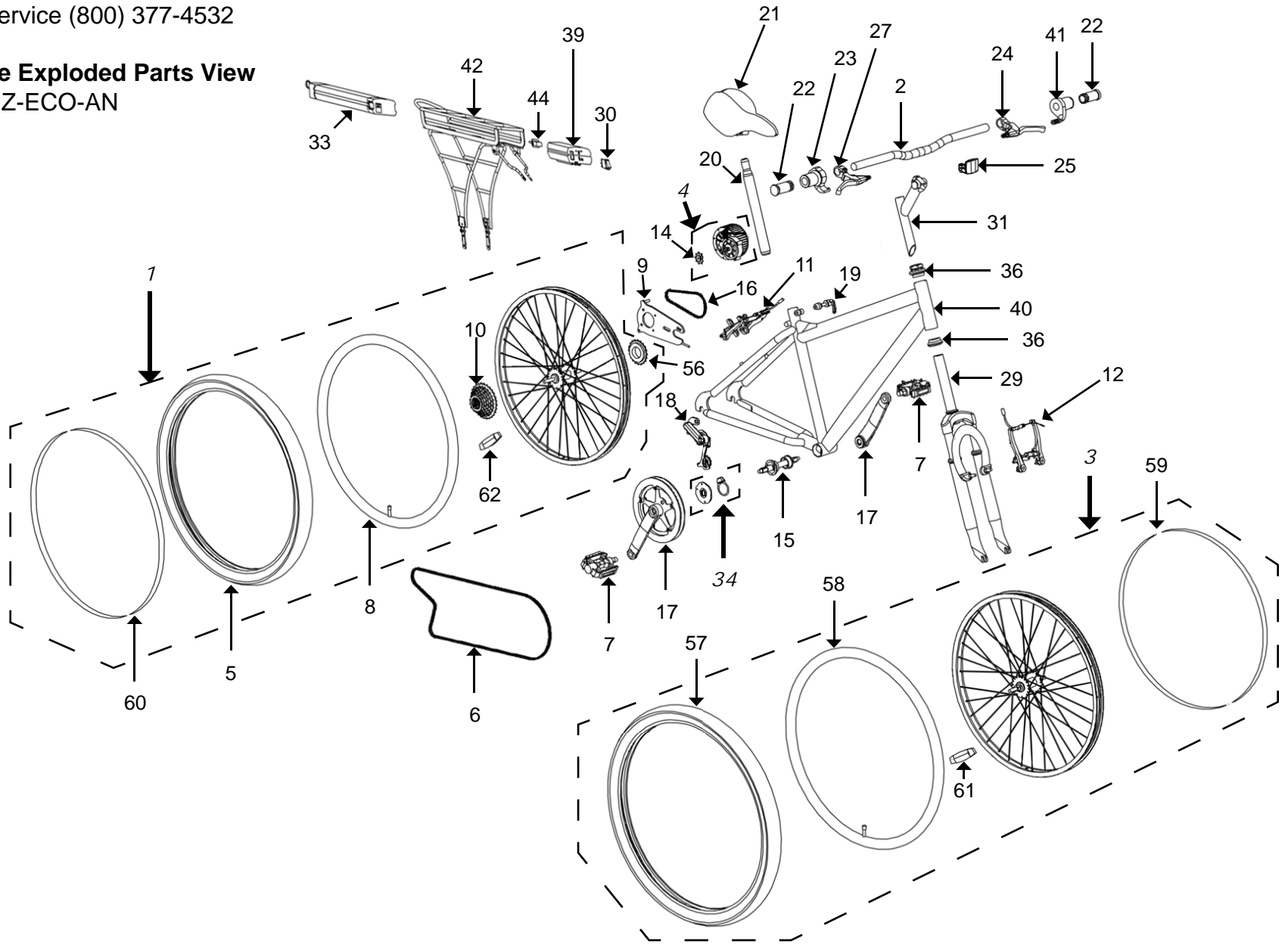


Diagram #	Description	Part #
1	Rear Wheel Assembly (26")	WH-26R-003
2	Handlebar (25.4mm bar clamp diameter, 600mm wide x 30mm rise)	HB-T203-001
3	Front Wheel Assembly (26")	WH-26F-003
4	Motor Assembly	MT-24250-001
5	Tire - 26" x 1.5"	TT-26-001
6	Chain - Pedal (3/32" - cut to fit)	BP-517-2
7	Pedals (9/16")	PD-LU-207
8	Tube - 26" x 1.5-1.75" w/ Schrader Valve	TT-26-301
9	Motor Plate	MT-PLTAM26CC01A
10	Freewheel (Pedal) (7 speed, 14-32T)	FW-1432T-001
11	Brake - linear pull	BR-T210-001B
12	Brake - linear pull	BR-T210-001B
13	Kickstand (320mm) (not shown)	AB-2436-1
14	Motor Gear (9T x 1/8")	BD-2436-4
15	Bottom Bracket (68mm x 128mm, English thread)	BB-CC882-001
16	Chain - Motor (28 links x 1/8")	CN-Z410-28L
17	Crankset (170mm, 44T, square taper)	FC-SS710-001
18	Derailleur - Rear (7 speed)	RD-TX31D
19	Seat Post QR	QR-327Q-001
20	Seat Post (27.2mm x 350mm)	SP-SP886-002
21	Seat	SE-CL6772-001
22	Grips (replacement grips are black)	GR-TCG82-001A
23	Throttle (1000mm wire)	TH-XH2DL-007
24	Brake Lever - Left w/ Inhibitor - (1350mm wire)	BL-H456PD-L02
25	Reflector - Front	AS-460
26	Reflector - Rear (mounted on battery pack) (not shown)	AS-965
27	Brake Lever - Right	BL-456PD-R01
28	n/a	n/a
29	Fork (1-1/8" Threaded)	FK-GS152-728
30	Switch	BA-080
31	Stem (1-1/8" Quill)	ST-MQ527-001
32	Controller (shown on wiring diagram)	CT-2415-001
33	Battery Pack (RTMB Li-Ion 24V10A)	BA-PK2410-310
34	Cadence Sensor	WR-SPDSNR-001
35	Brake Cable & Housing - Front (not shown)	SP-910
36	Headset (1-1/8" Threaded)	n/a
37	Fuse 30a (shown on wiring diagram)	AU-065

Diagram #	Description	Part #
38	Charger (Standard, 2amp) (not shown)	CH-2402-301A
39	RTMB Docking Station	RK-ECBA06-002
40	Frame	n/a
41	Shifter - Rear	BP-MTN6-4
42	Rack - RTMB	RK-ECBA06-001
43	Fuse 5a (shown on wiring diagram)	AU-066
44	RTMB Battery Terminal	BA-TRML-001
45	n/a	n/a
46	n/a	n/a
47	n/a	n/a
48	n/a	n/a
49	n/a	n/a
50	n/a	n/a
51	Tool - 13-15mm wrench (not shown)	TL-101
52	Tool - 5mm-6mm hex wrench (not shown)	TL-100
53	n/a	n/a
54	Owner's Manual (not shown)	OM-EZIP-001
55	Brake Cable & Housing- Rear (not shown)	SP-910
56	Freewheel (motor)	BD-2436-2
57	Tire - 26" x 1.5"	TT-26-001
58	Tube - 26" x 1.5-1.75" w/ Schrader Valve	TT-26-301
59	Rim Strip - 26"	n/a
60	Rim Strip - 26"	n/a
61	Reflector - Wheel	n/a
62	Reflector - Wheel	n/a

