



E300 (V.20+)/POCKET ROCKET (V.07+) REAR TIRE/INNER TUBE REPLACEMENT INSTRUCTIONS

To determine which product version you have, check the barcode on your unit. The E300 barcode is located on the steering stem, battery tray and charger. The Pocket Rocket barcode is located on the front of the frame, fairing and charger.



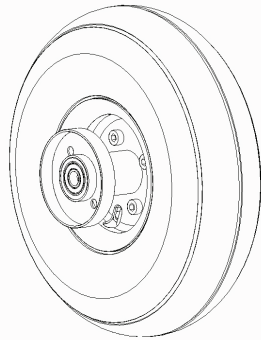
101010-03-0602A099999

2-Digit Product Version Identifier

⚠ WARNING: Turn off the main power switch before proceeding with the following instructions.

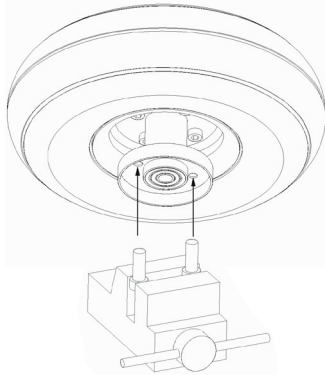
Step 1

Remove rear wheel from unit. Refer to Rear Tire Replacement in Owner's Manual.



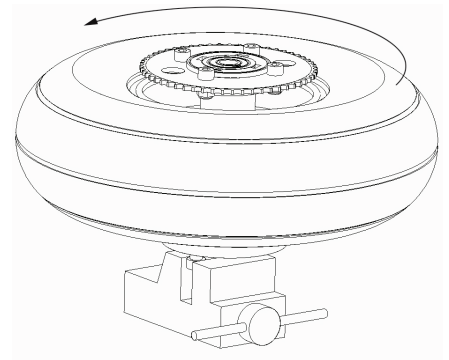
Step 2

Clamp two 8mm (or similar 5/16) bolts in line with the brake drum holes as shown below.



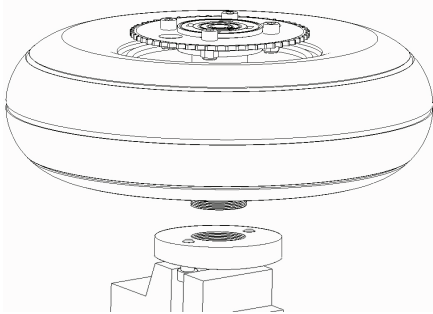
Step 3

Position the rear wheel as shown and unscrew the brake drum.



Step 4

Completely unthread the brake as shown.



Step 5

Deflate the inner tube completely and with the brake drum removed, loosen and remove the 4 screws that hold the wheel together. Replace inner tube/tire. Reverse steps to reassemble.

